

GRID Buddy

Let your **Buddy** do the dirty work

EFFORTLESS CLEANING for a greasy & dirty braai grid & grill www.gridbuddy.co.za



GRID RETRIEVER



DRAIN VALVE



INTERNAL BRUSHES



REMOVABLE FOOT PIECES

Sizes Available:
700mm(w) & 1050mm(w)



USAGE

Instructions

STEP 1



Fill the Grid Buddy™ with water

STEP 2



Add non-toxic degreasing/dishwashing liquid

STEP 3



Place the cooled-down grid into the Grid Buddy™

STEP 4



Soak the grid for a minimum of 60 minutes

STEP 5



Scrub the grid against the internal brushes

STEP 6



Rinse the grid under tap water if needed

STEP 7

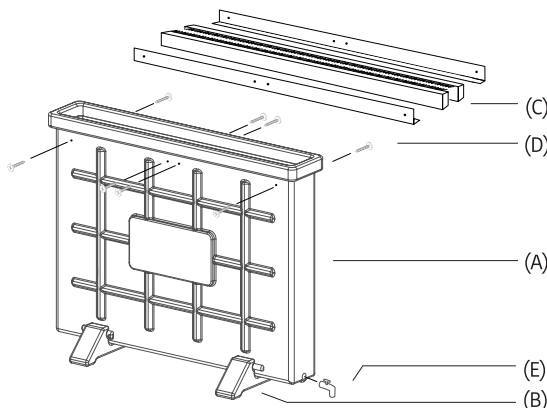


Open the drain valve to drain the dirty water

BUILD

Assembly Instructions

- Place your **Grid Buddy™** (A) in an upright position.
- Fit removable foot pieces (B).
- Assemble brushes (C).
- Secure assembled brushes (C) into **Grid Buddy™** (A) with bolts (D).
- Fit drainage assembly (E) into **Grid Buddy™** (A).



TIPS

Do's & Don'ts

- DO NOT** put a **HOT** grid in your **Grid Buddy™**.
- Clean the internal brushes **regularly** to avoid build-up of grease and food residue.
- Brushes are removable** for cleaning purposes.
- Wash your **Grid Buddy™** with a **non-toxic degreasing detergent/dishwashing liquid** to avoid internal grease residue build-up.
- For easier cleaning, remove the braai grid from open fire/braai place directly after use.
- Removable foot pieces** enable easy storing and packing, making your **Grid Buddy™** the perfect travel buddy.
- Transport your braai grid inside your **Grid Buddy™** when traveling.
- Avoid** leaving the **Grid Buddy™** in direct sunlight for extended periods as this may cause unwanted bulging and/or discolouring of your **Grid Buddy™**.
- Make use of **warm** or cold water when using your **Grid Buddy™**. Water in your **Grid Buddy™** should be drained within 7 days.
- Avoid** brushing your grid with a steel brush while the grid is placed on the exposed flame as this will damage the protective coating of the braai grid and shorten your grid's lifespan.

NOTE: Grid Buddy™ will not renew old braai grids, but it will preserve new grids.

HOW?

To get one

Order your buddy now

info@gridbuddy.co.za | www.gridbuddy.co.za

 follow us: facebook.com/gridbuddysa

By Armagon: Provisional Patent No.2020/04837

"THE BRAAI - Discovered by Cavemen, perfected by South Africans."

Terms and Conditions apply.

